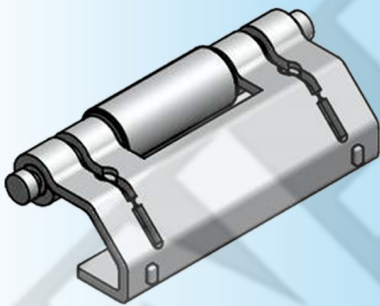


For Product Step File or 3D Model Send a Request Mail To info@nrack.com

Photo View



3D Rendered View



HL 011 - 1

(Sheet Metal Hinge)

- Material: Steel
- Finish: Nickel/Blue Plating

Sheet Metal Hinge

